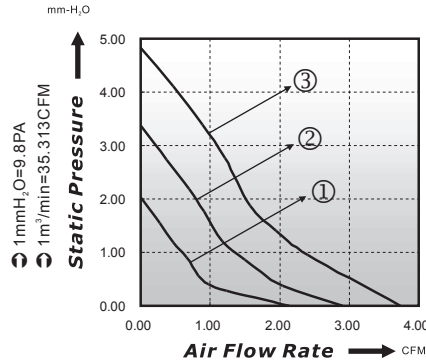


# 30x30x10mm

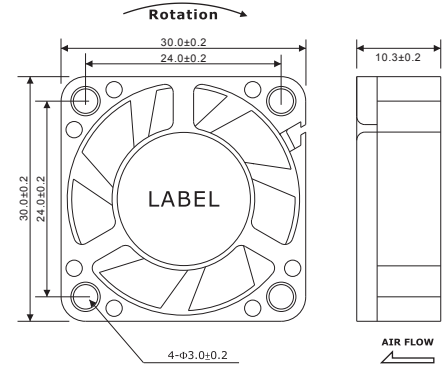


## ■ P-Q Curve (At Rated Voltage)



## ■ Dimensions Drawing

Unit: (mm)



Model No	Bearing (*)	Rated Voltage (VDC)	Rated Current (A)	Power Consumption (Watts)	Speed (rpm)	Air Flow (CFM)	Static Pressure (mmH <sub>2</sub> O)	Noise (dBA)	Curve
PLA03010B05L	○●⊖	5	0.10	0.50	6000	2.14	2.03	20.4	1
PLA03010B05M	○●⊖	5	0.17	0.85	8000	2.91	3.37	25.4	2
PLA03010B05H	○●⊖	5	0.23	1.15	10000	3.73	4.83	29.5	3
PLA03010B12L	○●⊖	12	0.05	0.60	6000	2.14	2.03	20.4	1
PLA03010B12M	○●⊖	12	0.07	0.84	8000	2.91	3.37	25.4	2
PLA03010B12H	○●⊖	12	0.12	1.44	10000	3.73	4.83	29.5	3

\* Bearing Type: ○ Sleeve    ▲ One Ball and One Sleeve    ● Two Ball    ⊖ Hydro-Dynamic