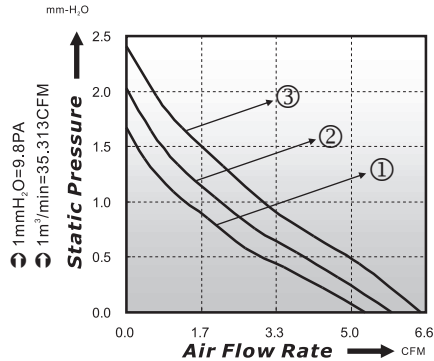


40x40x07mm

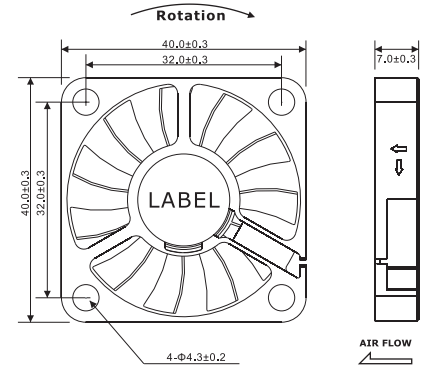


■ P-Q Curve (At Rated Voltage)



■ Dimensions Drawing

Unit: (mm)



Model No	Bearing (*)	Rated Voltage (VDC)	Rated Current (A)	Power Consumption (Watts)	Speed (rpm)	Air Flow (CFM)	Static Pressure (mmH ₂ O)	Noise (dBA)	Curve
PLA04007B03L	○●	3	0.35	1.05	5000	5.26	1.67	28.5	1
PLA04007B03M	○●	3	0.45	1.35	5500	5.84	2.03	29.9	2
PLA04007B03H	○●	3	0.55	1.65	6000	6.48	2.41	31.6	3
PLA04007B05L	○●	5	0.25	1.25	5000	5.26	1.67	28.5	1
PLA04007B05M	○●	5	0.35	1.75	5500	5.84	2.03	29.9	2
PLA04007B05H	○●	5	0.45	2.25	6000	6.48	2.41	31.6	3
PLA04007B12L	○●	12	0.20	2.40	5000	5.26	1.67	28.5	1
PLA04007B12M	○●	12	0.30	3.60	5500	5.84	2.03	29.9	2
PLA04007B12H	○●	12	0.40	4.80	6000	6.48	2.41	31.6	3

* Bearing Type: ○ Sleeve ▲ One Ball and One Sleeve ● Two Ball ◎ Hydro-Dynamic